



Cleaning systems



- DE **Reinigungssysteme**
- ES **Sistemas de limpieza**
- FR **Systèmes de nettoyage**
- IT **Sistemi di pulizia**

2016 EDITION

Cleaning technique

- EN **Hose reel closed**
- DE **Schlauchaufroller geschlossen**
- ES **Enrollador de mangueras cerrado**
- FR **Enrouleur de tuyau fermés**
- IT **Avvolgitubo chiuso**



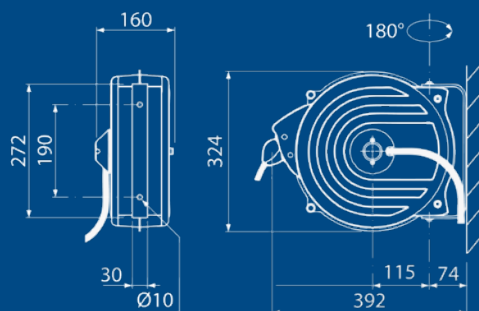
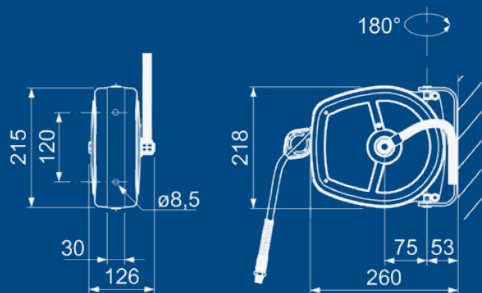
GEV No.	description
---------	-------------

542028	Hose 3m, \varnothing 10 x 14mm 1/2" Connecting hose 1m, \varnothing 10 x 14mm Swivelling wall-holder
	Schlauch 3m, \varnothing 10 x 14mm 1/2" Anschlussschlauch 1m, \varnothing 10 x 14mm Wandhalter schwenkbar
	Tubo 3m, \varnothing 10 x 14mm 1/2" Tubo de conexión 1m, \varnothing 10 x 14mm Soporte a pared orientable
	Tuyau 3m, \varnothing 10 x 14mm 1/2" Tuyau de raccordement 1m, \varnothing 10 x 14mm Support mural tournant
	Tubo flessibile 3m, \varnothing 10 x 14mm 1/2" Tubo flessibile attacco 1m, \varnothing 10 x 14mm Montaggio a muro orientabile



GEV No.	description
---------	-------------

542029	Hose 12m, \varnothing 10 x 14mm 1/2" Connecting hose 1m, \varnothing 10 x 14mm Swivelling wall-holder
	Schlauch 12m, \varnothing 10 x 14mm 1/2" Anschlussschlauch 1m, \varnothing 10 x 14mm Wandhalter schwenkbar
	Tubo 12m, \varnothing 10 x 14mm 1/2" Tubo de conexión 1m, \varnothing 10 x 14mm Soporte a pared orientable
	Tuyau 12m, \varnothing 10 x 14mm 1/2" Tuyau de raccordement 1m, \varnothing 10 x 14mm Support mural tournant
	Tubo flessibile 12m, \varnothing 10 x 14mm 1/2" Tubo flessibile attacco 1m, \varnothing 10 x 14mm Montaggio a muro orientabile



- EN **Spray gun for appliances 1/2"**
- DE **Gerätehandbrause 1/2"**
- ES **Ducha de mano de 1/2"**
- FR **Poignées de douchette 1/2"**
- IT **Doccetta apparecchiatura 1/2"**



GEV No.
542964



GEV No.
542105



GEV No.
542265



GEV No.	description
540674	Coupling for spray gun rotary 1/2"IT-1/2"ET Kupplung für Handbrause drehbar 1/2"IG-1/2"AG Acoplamiento para ducha de mano 1/2"H-1/2"M Raccord union tournant pour douchette 1/2"FI-1/2"FE Giunto per doccia girevole 1/2"F-1/2"M



GEV No.	description
548353	Swivel joint 1/2"IT-1/2"ET brass Schwenkadapter 1/2"IG-1/2"AG Messing Articulación 1/2"H-1/2"M latón Articulation 1/2"FI-1/2"FE laiton Giunto rotante 1/2"F-1/2"M ottone

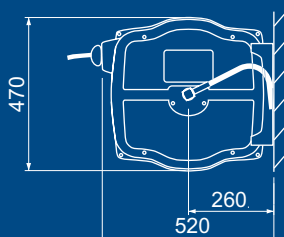
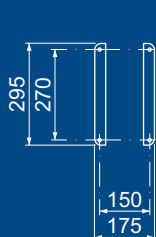
Cleaning technique

- EN
Hose reel closed and wall holder (pivoting)
 Cleaning hose, food quality, FDA approved, stainless steel hose couplings
- DE
Schlauchaufroller geschlossen und Wandhalter (schwenkbar)
 Reinigungsschlauch, lebensmittelecht, FDA-Zulassung, Schlauchverschraubung aus Edelstahl
- ES
Enrollador de mangueras cerrado y soporte mural (basculante)
 Tubo de limpieza, apto para uso alimentario, homologación FDA, racores de tubo flexible acero inoxidable
- FR
Enrouleur de tuyau fermé et support mural (pivotant)
 Tuyau de nettoyage, qualité alimentaire, homologation FDA, raccords union acier inoxydable
- IT
Avvolgitubo chiuso e supporto a muro (basculante)
 Tubo per pulizia, omologato FDA, adatto ad uso alimentare, raccordi filettati acciaio inossidabile



GEV No.	hose length(m)	hose ø(mm)	connection	hose temp.
542025	10	DN13	1/2"	95°C

GEV No.	description
542034	for GEV No. 542025



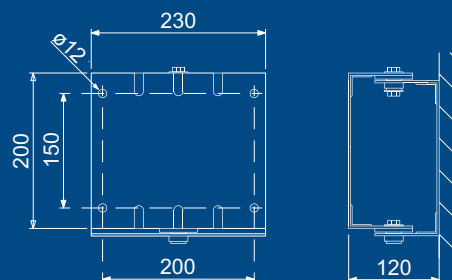
- EN
Hose reel open and wall holder (pivoting)
 Cleaning hose, food quality, FDA approved, stainless steel hose couplings
- DE
Schlauchaufroller offen und Wandhalter (schwenkbar)
 Reinigungsschlauch, lebensmittelecht, FDA-Zulassung, Schlauchverschraubung aus Edelstahl
- ES
Enrollador de mangueras abierto y soporte mural (basculante)
 Tubo de limpieza, apto para uso alimentario, homologación FDA, racores de tubo flexible acero inoxidable
- FR
Enrouleurs de tuyau ouverts et supports muraux (pivotants)
 Tuyau de nettoyage, qualité alimentaire, homologation FDA, raccords union acier inoxydable
- IT
Avvolgitubo aperto e supporto a muro (basculante)
 Tubo per pulizia, omologato FDA, adatto ad uso alimentare, raccordi filettati acciaio inossidabile



GEV No.	hose length(m)	hose ø(mm)	connection	hose temp.
542274	10	DN13	1/2"	95°C
542275	15	DN13	1/2"	95°C
542276	20	DN13	1/2"	95°C
542310	25	DN13	1/2"	95°C



fig.	GEV No.	description
1	542072	for GEV No. 542274
2	542094	for GEV No. 542275, 542276, 542310



- EN Cleaning spray gun
- DE Reinigungspistole
- ES Pistola de limpieza
- FR Pistolets de nettoyage
- IT Spruzzatore a pistola



GEV No.	connection
591357	1/2"

Brass
Messing
Latón
Laiton
Ottone



GEV No.	connection
540300	1/2"

Brass
Messing
Latón
Laiton
Ottone



GEV No.	connection
540401	1/2"

Stainless steel
Edelstahl
Acero inoxidable
Acier inoxydable
Acciaio inossidabile



GEV No.	connection
542265	1/2"

Brass
Messing
Latón
Laiton
Ottone



GEV No.	connection
540550	3/4" IT, 1/2" ET

Brass
Messing
Latón
Laiton
Ottone

- EN Cleaning spray gun and foam lance
- DE Reinigungspistole und Schaumlanze
- ES Pistola de limpieza y lanza-espuma
- FR Pistolets de nettoyage et lance mousse
- IT Spruzzatore a pistola e lancia schiuma



GEV No.	connection IT
540551	3/4", 1/2"

Brass
Messing
Latón
Laiton
Ottone



GEV No.	connection
542264	1/2"

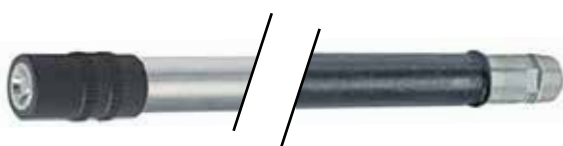
Brass
Messing
Latón
Laiton
Ottone



GEV No.	connection
540535	quick fitting



GEV No.	connection	length
540536	quick fitting	182mm



GEV No.	connection	length
541870	quick fitting	450mm



GEV No.	container
540557	1,35l
540558	2,7l

Cleaning technique

- EN Cleaning spray gun and foam lance
- DE Reinigungspistole und Schaumlanze
- ES Pistola de limpieza y lanza espuma
- FR Pistolets de nettoyage et lance mousse
- IT Spruzzatore a pistola e lancia schiuma



Brass
Messing
Latón
Laiton
Ottone

GEV No.	connection
542268	1/2"



Stainless steel
Edelstahl
Acero inoxidable
Acier inoxydable
Acciaio inossidabile

GEV No.	connection
542269	1/2"



GEV No.	connection
542267	1/2" quick fitting stainless steel



GEV No.	length(mm)	connection
540373	220	1/2" quick fitting stainless steel
542266	500	1/2" quick fitting stainless steel

- EN **Cleaning set**
- DE **Reinigungs-Set**
- ES **Juego de limpieza**
- FR **Set nettoyage**
- IT **Set pulizia**



Cleaning spray gun 1/2"
Reinigungspistole 1/2"
Pistola de limpieza 1/2"
Pistolet de nettoyage 1/2"
Spruzzatore a pistola 1/2"

GEV No.	hose length(m)	hose ø
591354	10	DN13
591364	15	DN13
591355	20	DN13
592324	25	DN13



Hose holder stainless steel
Schlauchhalter Edelstahl
Soporte portatubos acero inoxidable
Support tuyau acier inoxydable
Supporto tubo acciaio inossidabile



Cleaning hose, food quality, FDA approved,
operating pressure 20bar, stainless steel hose couplings, T.max 95°
Reinigungsschlauch, lebensmittelecht, FDA-Zulassung,
Arbeitsdruck 20bar, Schlauchverschraubung aus Edelstahl, T.max 95°C
Tubo de limpieza, calidad alimentaria, homologación FDA,
presión de trabajo 20bar, racores de tubo flexible acero inoxidable , T.max 95°C
Tuyau de nettoyage, qualité alimentaire, homologation FDA,
pression effective 20bar, raccords unionacier inoxydable, T.max 95°C
Tubo per pulizia, omologato FDA, adatto ad uso alimentare
pressione di lavoro 20bar, raccordi filettati acciaio inossidabile, T.max 95°C

Cleaning technique

- EN** **Cleaning hose, food quality, FDA approved,**
operating pressure 20bar, stainless steel hose couplings
- DE** **Reinigungsschlauch, lebensmittelecht, FDA-Zulassung,**
Arbeitsdruck 20bar, Schlauchverschraubung aus Edelstahl
- ES** **Tubo de limpieza, calidad alimenticia, homologación FDA,**
presión de trabajo 20bar, racores de tubo flexible acero inoxidable
- FR** **Tuyaux de nettoyage, qualité alimentaire, homologation FDA,**
pression effective 20bar, raccords union acier inoxydable
- IT** **Tubo per pulizia, qualità alimentare, omologato FDA,**
pressione di lavoro 20bar, raccordi filettati acciaio inossidabile



GEV No.	length (m)	hose ø(mm)	connection	T.max
541858	10	DN13	1/2"	95°C
540405	15	DN13	1/2"	95°C
540402	20	DN13	1/2"	95°C
592323	25	DN13	1/2"	95°C

Hose holder stainless steel
Schlauchhalter Edelstahl
Soporte portatubos acero inoxidable
Support tuyau acier inoxydable
Supporto tubo acciaio inossidabile



GEV No.	hose length (m)	hose ø(mm)
540406	25	DN13

- EN** **Cleaning hose, food quality,**
operating pressure 20 bar
- DE** **Reinigungsschlauch, lebensmittelecht,**
Arbeitsdruck 20 bar
- ES** **Tubo de limpieza, calidad alimenticia,**
presión de trabajo 20 bar
- FR** **Tuyaux de nettoyage, qualité alimentaire,**
pression effective 20 bar
- IT** **Tubo per pulizia, qualità alimentare,**
pressione di lavoro 20 bar



GEV No.	length (m)	hose ø (mm)	hose temp.
520476*	2,5	13 x 19	60°C
520100*	5	13 x 19	60°C
520101*	20	13 x 19	60°C
520095*	40	13 x 19	60°C
592318**	5	DN13	95°C
592319**	10	DN13	95°C
592322**	15	DN13	95°C
592320**	20	DN13	95°C
592321**	40	DN13	95°C
520254*	5	19 x 27	60°C
520255*	20	19 x 27	60°C
520109*	40	19 x 27	60°C

*LMBG approved **FDA approved

Hose connector stainless steel
Schlauchanschluss Edelstahl
Empalme de tubo acero inoxidable
Embouts tuyau acier inoxydable
Attacco per tubo acciaio inossidabile

fig.	GEV No.	connection	hose ø(mm)
1	592182	1/2" IT	12 x 21
2	592184	1/2" ET	12 x 21
3	592306	1/2" ET	13 x 19
3	592309	1/2" ET	19 x 27
4	592304	1/2" IT	12 x 21
4	592305	3/4" IT	12 x 21
4	592310	3/4" IT	19 x 27



Cleaning technique

- EN Spray system for 2 chemicals and water
- DE Sprühsystem für bis zu 2 Chemikalien und Wasser
- ES Sistema de pulverización para 2 productos químicos y agua
- FR Systèmes de pulvérisation pour 2 produits chimiques et eau
- IT Sistema di spruzzatura per 2 prodotti chimici e acqua



BA pipe disconnecter



GEV No.	chemicals	BA pipe disconnecter	connection
542300	1	No	3/4" OT
542304	1	Yes	3/4" OT
542305	2	No	3/4" OT
542306	2	Yes	3/4" OT



Stainless steel
Edelstahl
Acero inoxidable
Acier inoxydable
Acciaio inossidabile



GEV No.	description
591452	Water socket complete 1/2" Wassersteckdose komplett 1/2" Enchufe de agua completo 1/2" Raccord rapide complet 1/2" Presă d'acqua completa 1/2"

Stainless steel
Edelstahl
Acero inoxidable
Acier inoxydable
Acciaio inossidabile



GEV No.	description
591454	Coupling, thread 1/2" Kupplung, Gewinde 1/2" Acomplamiento, rosca 1/2" Raccord union, filetage 1/2" Guinto, filetto 1/2"

Stainless steel
Edelstahl
Acero inoxidable
Acier inoxydable
Acciaio inossidabile



GEV No.	description
591453	Nipple, thread 1/2" Nippel, Gewinde 1/2" Boquilla, rosca 1/2" Manchon, filetage 1/2" Nipplo, filetto 1/2"

- EN Hose reel for mounting
- DE Einbau-Schlauchroller
- ES Enrollador de mangueras montaje
- FR Enrouleurs de tuyau montage
- IT Avvolgitubo montaggio



GEV No.	hose length(m)
542039	1,7

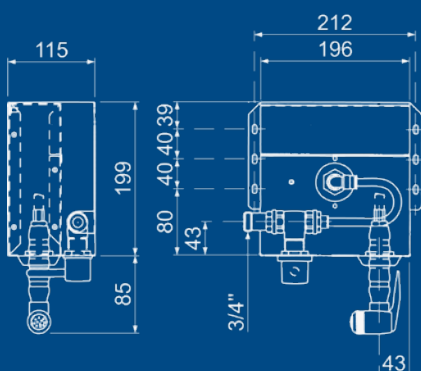


GEV No.	hose length(m)
542950	1,5

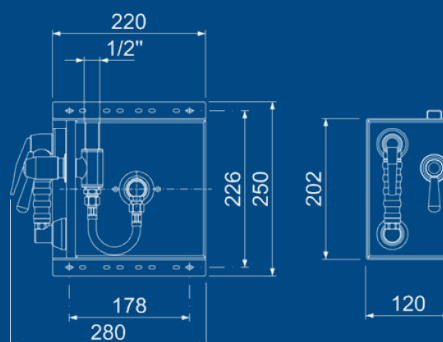


GEV No.	hose length(m)
542069	1,5

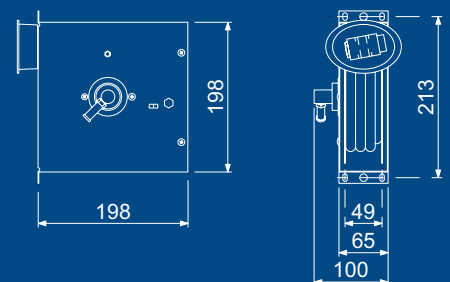
542039



542950



542069



- EN Spray gun for appliances 1/2"
- DE Gerätehandbrause 1/2"
- ES Ducha de mano de 1/2"
- FR Poignées de douchette 1/2"
- IT Doccetta apparecchiatura 1/2"



GEV No.	hose length(m)
542953	2



GEV No.	hose length(m)
542954	2



GEV No.	hose length(m)
542962	2



GEV No.	hose length(m)
542097	2



GEV No.	hose length(m)
691618	2

- EN Spray gun for appliances 1/2"
- DE Gerätehandbrause 1/2"
- ES Ducha de mano de aparato 1/2"
- FR Poignées de douchette 1/2"
- IT Doccetta apparecchiatura 1/2"



GEV No.
540003



GEV No.
542964



GEV No.
691048



GEV No.
542105



GEV No.
542096



Shower hose 1/2"
 Brauseschlauch 1/2"
 Tubo de ducha 1/2"
 Flexibles douchette 1/2"
 Tubo per doccia 1/2"

GEV No.	length (mm)
520277	1500
520096	2000
520097	2200
520098	2600



Shower hose 1/2"
 Brauseschlauch 1/2"
 Tubo de ducha 1/2"
 Flexible douchettes 1/2"
 Tubo per doccia 1/2"

GEV No.	length (mm)
542018	1500
542019	2000



GEV No.	description
542966	Wall holder for hand spray Wandhalter für Gerätehandbrause Soporte mural para ducha de mano de aparato Support mural pour douche Supporto a muro per doccetta apparecchiature



GEV No.	description
540674	Coupling for spray gun rotary 1/2"IT-1/2"ET Kupplung für Handbrause drehbar 1/2"IG-1/2"AG Acoplamiento para ducha de mano 1/2"H-1/2"M Raccord union pour douchette tournant 1/2"FI-1/2"FE Giunto per doccia girevole 1/2"F-1/2"M



GEV No.	description
548353	Swivel joint 1/2"IT-1/2"ET brass Schwenkadapter 1/2"IG-1/2"AG Messing Articulación 1/2"H-1/2"M latón Articulation 1/2"FI-1/2"FE laiton Giunto rotante 1/2"F-1/2"M ottone

- EN Wall-mounted tap head with pipe aerator
- DE Wandmischbatterie mit Rohrbelüfter
- ES Grifo montura mural con aireador de tubo
- FR Mitigeurs muraux avec aérateur-Tube
- IT Miscelatore biforo a parete con areatore



GEV No.	upper part 1/2"	connection out
591362	tap head	3/4"
591598	ceramic head	3/4"



GEV No.	upper part 3/4"	connection out
591363	tap head	3/4"
591658	ceramic head	3/4"

- EN** Angle valve with pipe aerator
- DE** Eckventil mit Rohrbelüfter
- ES** Válvula angular con aireador de tubo
- FR** Robinets d'angle avec aérateur
- IT** Rubinetto ad angolo con areatore



GEV No.	upper part 3/4"	connection out	connection in
543284	tap head	1/2"	1/2"
543289	tap head	1/2"	3/4"
543290	tap head	3/4"	1/2"
543291	tap head	3/4"	3/4"



DE

GEV Großküchen-Ersatzteil-Vertrieb GmbH

Gadastr. 4
85232 Bergkirchen

www.gev-online.de
Tel.: +49 (0)8142 6522-50
Fax: +49 (0)8142 6522-649
bestellung@gev-online.de

UK

GEV Catering Spares Ltd

307-309 Totemic House
Springfield Business Park, Caunt Road
Grantham, NG31 7FZ

www.gev-online.co.uk
Tel.: +44 (0)1476 583922
Fax: +44 (0)1476 514640
info@gev-online.co.uk

FR

GEV Pièces Cuisines Professionnelles S.a.r.l.

160 rue de Palverne – ZAC de Rosarge
01700 Miribel

www.gev-online.fr
Tél. : +33 (0)4 72 26 31-01
Fax : +33 (0)4 72 26 33-96
contact@gev-online.fr

CH

GEV GmbH

Junkerbifangstrasse 18
4800 Zofingen

www.gev-online.ch
Tel.: +41 (0)62 797 25-06
Fax: +41 (0)62 797 25-07
info@gev-online.ch

IT

Fast ricambi srl

Via Manin, 65
31015 Conegliano (TV)

www.fastricambi.it
Tel.: +39 0438 454343
Fax: +39 0438 455263
fastservice@fastricambi.it

ES

GEV Recambios de hostelería S.L.

Avenida Baix Llobregat
77 baixos
08690 Santa Coloma de Cervelló
Barcelona - España

www.gev-online.es
Tel.: +34 936406160
Fax: +34 936526495
info@gev-online.es

AT

GEV austria GmbH

Austrasse 12,
5110 Oberndorf bei Salzburg

www.gev.at
Tel.: +43 (0)6272 6688-0
Fax: +43 (0)6272 6688-14
office@gev.at

**GEV Großküchen-Ersatzteil-Vertrieb GmbH**

Gadastr. 4
85232 Bergkirchen, Germany

www.gev-online.com
Tel.: +49 (0)8142 6522-50
Fax: +49 (0)8142 6522-629
order@gev-online.com



P001100301